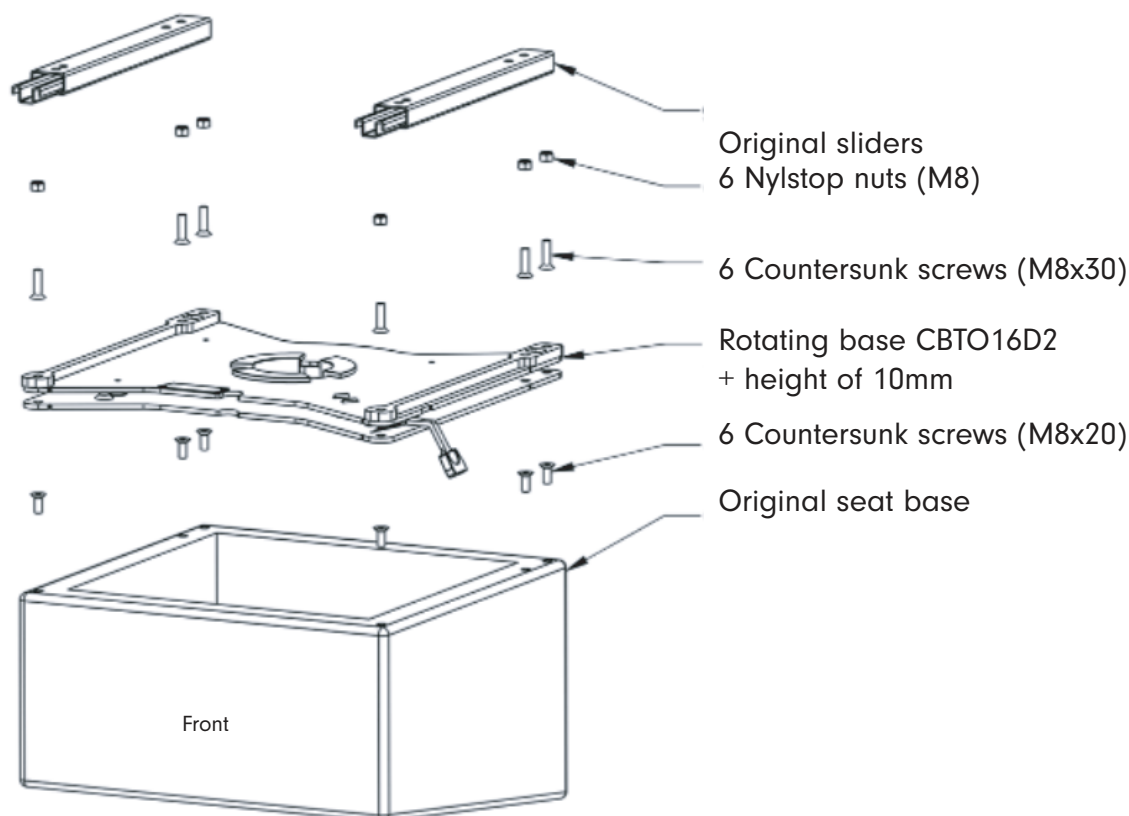


# Boxer/Ducato '06 to Present

## Driver single swivel fitting guide

Rotating base assembly CBTO16D2  
for original seat PSA X-250



Tip: Apply loctite to each bolt to prevent loosening over time.

## Other Notes:

### Height adjustable seats?

The seat can be raised up to prevent the trim plastics catching on the swivel when rotating. If the seat is used in a low position it is advised that the bottom of the two side trims is cut down by 25 - 30mm to allow space for the release lever.

### Before Fitting

The swivel base may not rotate easily before fitting as the grease on the mechanism is sticky when new. Once the seat is bolted to the base it will be easy to rotate.

### In use:

Do not sit on the seat whilst rotating.

### Safety:

Ensure all seats are facing forward and securely locked into position before driving.

### Certification:

All RIB swivels are TUV approved and have been tested in-vehicle.