

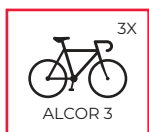
# ALCOR



eBIKE



FATBIKE



Portabici da gancio con sistema di aggancio rapido, telaio in acciaio ad alta resistenza e profili in alluminio. Dotato di sistema di ribaltamento a pedale e di sistema antifurto. Adatto al trasporto di e-bike o fat bike. Disponibile in 2 modelli.

Towbar bike rack with quick fixing system, sturdy steel frame and large aluminium wheel rails. Equipped with a pedal tilting system and antitheft system. Suitable for e-bikes or fat bikes. Available in 2 models.

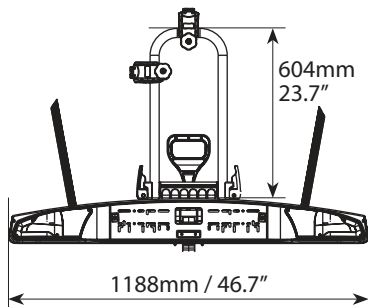


Alcor 2  
Art.000113000000

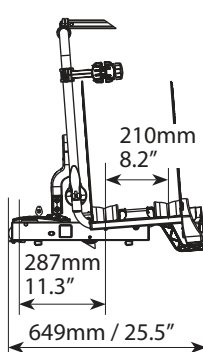


Alcor 3  
Art.000112700000

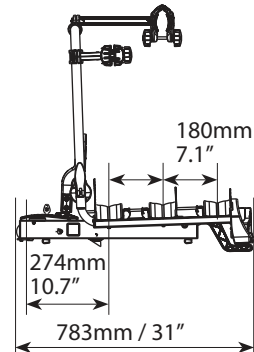
**ALCOR 2 / ALCOR 3**



**ALCOR 2**



**ALCOR 3**



Alcor 2	Art.000113000000	
Alcor 3	Art.000112700000	
<b>Peso prodotto</b> Product weight	Alcor 2	15,9kg/35lb
	Alcor 3	19,4kg/42.7lb
<b>Materiale</b> Material	Alluminio e acciaio Aluminium and steel	
<b>Portata massima</b> Max load	max 60kg / 132lb	
<b>Antifurto portabici</b> Anti-theft for the bike rack	✓	
<b>Antifurto bici</b> Anti-theft for the bike	✗	
<b>Sistema di ribaltamento</b> Tilting system	✓	
<b>Fissaggio rapido al gancio traino</b> Quick fastening to the tow bar	✓	
	Alcor 2	x2
	Alcor 3	x3
E-bike	✓	
Fat bike	✓	

Mod.	<b>ALCOR 2</b>	<b>ALCOR 3</b>
Art.N°	000113000000	000112700000
	L x W x H : 120x21,5x79 cm / 47.2x8.4x31.1"	L x W x H : 120x21,5x79 cm / 47.2x8.4x31.1"
	20 Kg / 44.1lb	22 Kg / 48.5lb
	L x W x H : 120x80x187 cm / 47.2x31.5x73.6"	L x W x H : 120x80x187 cm / 47.2x31.5x73.6"
	181 Kg / 399lb	197 Kg / 434.3lb
	Pz: 8	Pz: 8
Ean-13	8 003168 040156	8 003168 040095

**COMPATIBILITÀ BICI / BIKE COMPATIBILITY**

Mod.				
ALCOR 2 ALCOR 3	 min: 30mm/1.2" max: 50mm/2"	 min: 30x60mm/1.2x2.4" max: 50x70mm/2x2.7"	min 22" max 29"	max 110mm/4.3"
				max 1260mm/49.6"

**F.lli Menabò s.r.l.**

Via 8 Marzo 3,  
42025 Cavriago (RE), Italy  
+39-0522/942840  
customer@flli-menabo.it  
www.menabocaraccessories.com